

This material and the information herein is the property of Fuji Electric Co., Ltd. They shall be neither reproduced, copied, lent, or disclosed in any way whatsoever for the use of any third party, nor used for the manufacturing purposes without the express written consent of Fuji Electric Co., Ltd.

工作图  
 图号: 6  
 分图: 1/1

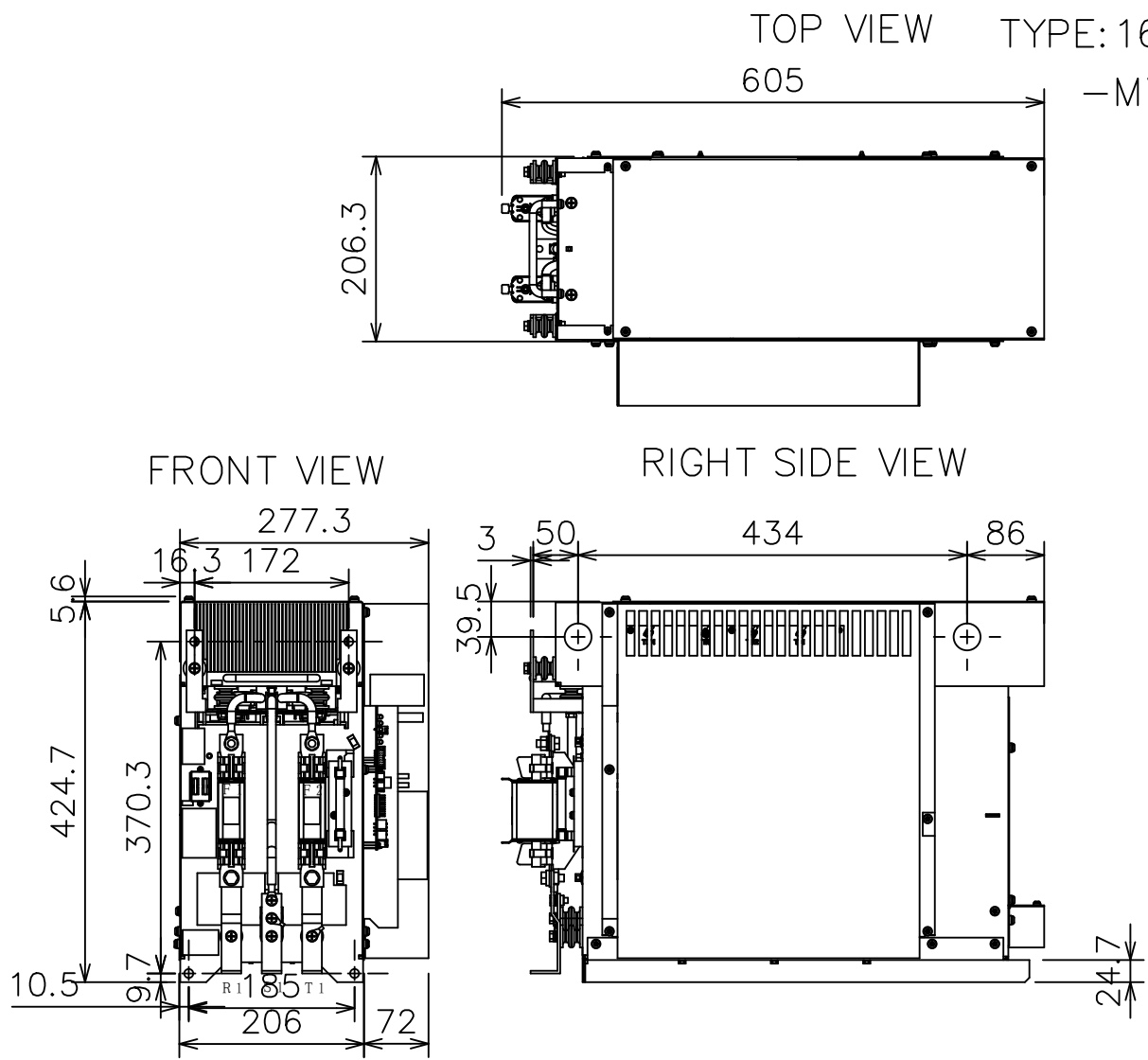
REVISIONS


DATE	2023-08-22	NAME	J. YU	APPROVED	L. GAI	SCALE	1:5
DRAWN	2023-08-22	CHECKED	J. ZHU				
RENEWAL							

TITLE	INVERTER CELL OUTLINE DRAWING OF CELL
TYPE	FM6e

DRAWING NO.	WMAD3253	INDEX	A	PAGE	03
OLD DWG. NO.					

REF. 1 2 3 4 5 6 TSI 6



TOP VIEW TYPE: 1650KVA\_RKPB178AE  
 605  
 206.3  
 -MV6AA-CYNFKQW  
 WEIGHT: 29kg

FRONT VIEW RIGHT SIDE VIEW

