

This material and the information herein is the property of Fuji Electric Co., Ltd. They shall be neither reproduced, copied, lent, or disclosed in any way whatsoever for the use of any third party, nor used for the manufacturing purposes without the express written consent of Fuji Electric Co., Ltd.

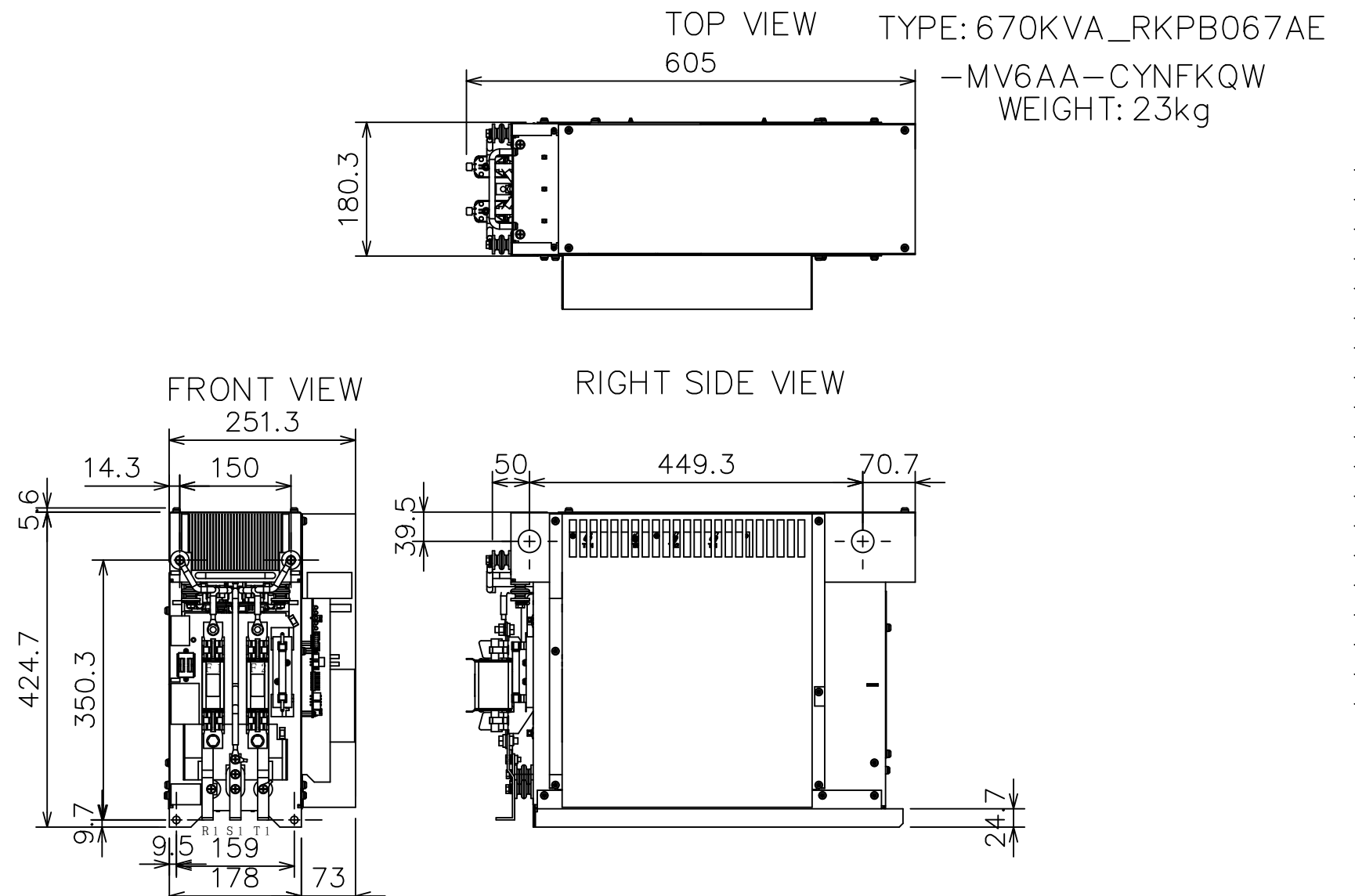
第三分區
圖號: 6
初版: 01

REVISIONS

DRAWN	2023-08-22	J. YU	APPROVED	SCALE 1:5
CHECKED	2023-08-22	J. ZHU	L. GAI	
RENEWAL				
Fuji Electric Co., Ltd.				

TITLE	TYPE	FM6e
INVERTER CELL		
OUTLINE DRAWING OF CELL		

DRAWING NO.	WMAD3253	INDEX	A	01
OLD DWG. NO.				3



1 2 3 4 5 6

A

B

C

D

1 2 3 4 5 6

A
B
C
D