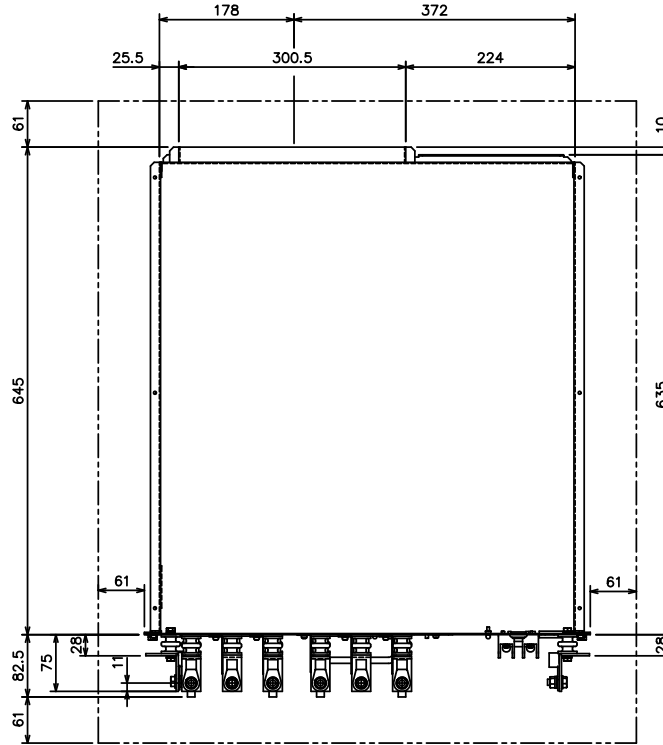
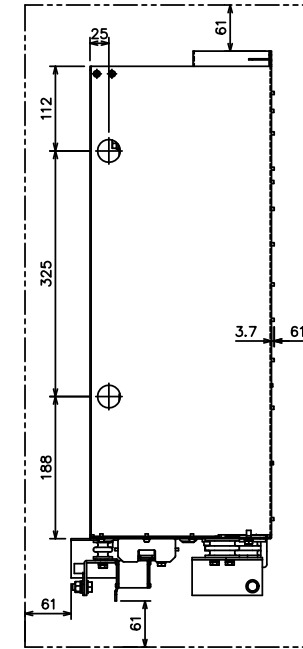


TYPE: RKPB771E-4MV5L
 WEIGHT: ≈65KG

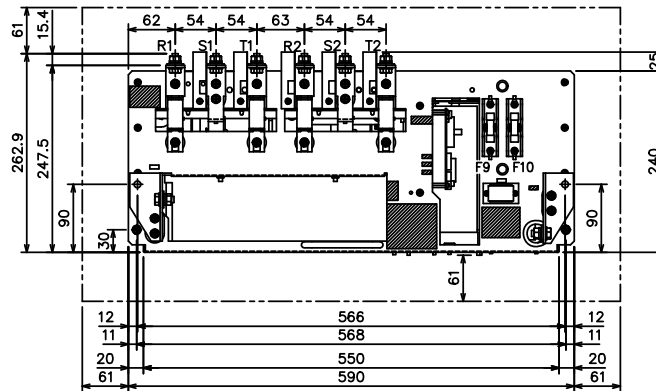
<PLAN>



<RIGHT VIEW>



<FRONT VIEW>



THIRD ANGLE PROJECTION

REV	REVISIONS	DATE	NAME	APPROVED	SCALE
		DRAWN 2014-01-05	Z. ZHANG		1:5
		CHECKED 2014-01-05	M. GE		
		RENEWAL 2014-01-05	M. GE	L. GAI	
Fuji Electric Co., Ltd.					

TITLE	TYPE	FM5e
	INVERTER CELL	
	OUTLINE DRAWING OF CELL	

DRAWING NO.	INDEX	A3	01
		WMA44010	1
OLD DWS. NO.	INDEX		

This material and the information herein is the property of Fuji Electric Co., Ltd. They shall be neither reproduced, copied, nor transmitted in any form or by any means, electronic or mechanical, including photocopying, recording, or by any information storage and retrieval system, without the express written consent of Fuji Electric Co., Ltd.